

Low resistance. All directions. For container & palette.
Omni Direction

**OMNI WHEELS
 SERIES 2500**

TYPE 2530(for heavy loading)

Conveyor System

- Crossing Point
- Transfers
- Wheel Conveyors

Conveying Goods

- Tubes
- Machine Tools
- Wooden Pallets
- Conveying goods with flat stable bases

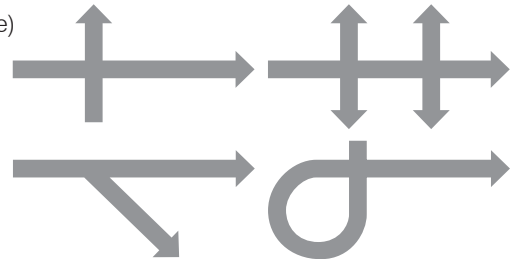
Application Areas

- Internal factory area
- Humid areas (Stainless steel design)
- Dusty areas
- Conveying goods with flat stable bases
- Air cargo handling
- Assembly lines
- Packing table
- Feeding to machinery



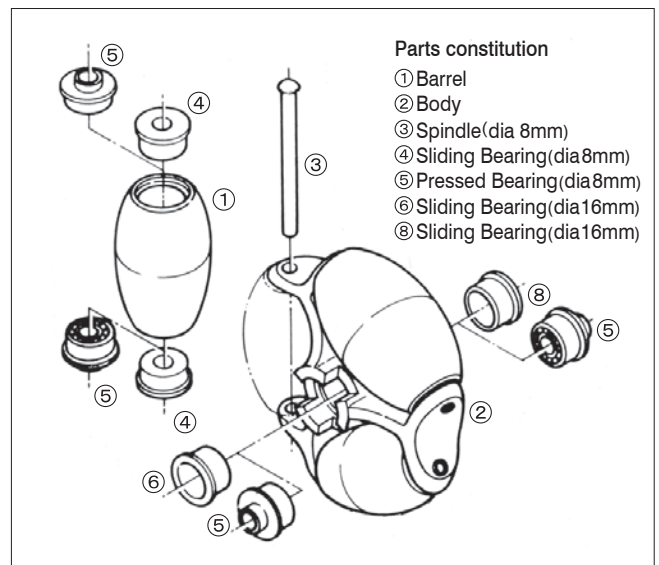
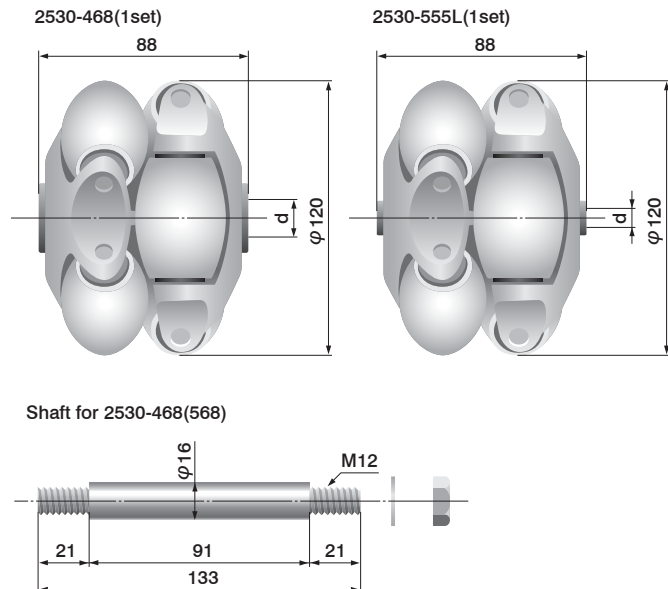
Specification

- Dimensions :Wheels → 120mm diameter
 :Bore sizes → 8.1mm, 16.2mm diameter & 19.2mm HEX(for drive)
- Loading
 Capacity :100kgs per set(Statistic)
- Materials :Body → Aluminum
 Barrel → Both Aluminum and PU are available
 Bearing → Both sliding and ball bearing are available



Accessories

Omni Frame(TF-120),Omni Shaft(for TF-120)



Model No,	Materials		Loading Capacity	Bearings		Dimensions(mm)		etc
	Body	Barrel		Barrel	Body	Wheel	Bore(d)	
2530-468	Aluminum (ADC-12)		100kg/set	Sliding	Sliding	120	16.2	*
2530-568	Aluminum (ADC-12)		100kg/set	Ball	Sliding	120	16.2	*
2530-555L	Aluminum (ADC-12)		100kg/set	Ball	Ball	120	8.1	
2530-4HX	Aluminum (ADC-12)		100kg/set	Sliding	HEX Hole	120	HEX19.2	
2530-4HXU	Aluminum (ADC-12)	PU	100kg/set	Sliding	HEX Hole	120	HEX19.2	
2530-568U	Aluminum (ADC-12)	PU	100kg/set	Ball	Sliding	120	16.2	*
2530-555LU	Aluminum (ADC-12)	PU	100kg/set	Ball	Ball	120	8.1	

* Correspondence for Omni Frame(TF-120). * Combination of the parts are available.

Shaft for TF-120 (dia 16mm)

Dia 8mm type is also available.