

9 OTHERS

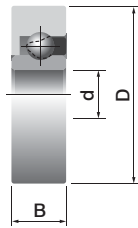
Special type of bearings to be used for many of parts for Material Handling Machines and Automatic Machines.



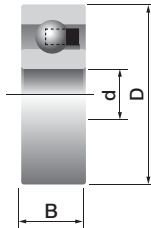
Plastic Radial Bearing

Part No.	Dimension(mm)			Load Rate		Remarks
	D	d	B	Cr	Cor	
DR-19-H5	19.0	5.0	6.0	5		
DR-22-H6	22.0	6.0	7.0	20		
DR-26-H6	26.0	6.0	7.0	20		
DR-30-H6	30.0	6.0	7.0	20		
φ30 Polyamide Tire	30.0	9.0	10.0	340	146	Insert Molding #609ZZ
φ40 Polyamide Tire	40.0	10.0	12.0	520	244	Insert Molding #6202ZZ

Type 1



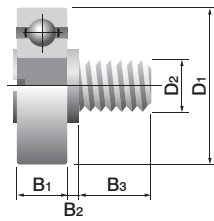
Type 2



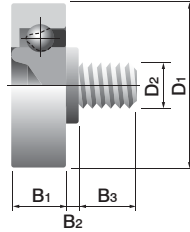
Plastic Radial Bearing with Shaft

Part No.	Dimension(mm)					Type	Load Rate		Remarks
	D ₁	D ₂	B ₁	B ₂	B ₃		Cr	Cor	
DR-19-A0.5	19.0	5.0	6.0	0.5	3.5	3	3	Plastic Outer Ring / Crimp by pin	
DR-19-B0.5	19.0	M6.0	6.0	0.5	8.0	2	5	Plastic Outer Ring / Screw up type	
DR-22-A1	22.0	5.0	7.0	1.0	3.5	3	8	Plastic Outer Ring / Crimp by pin	
DR-22-B0.5	22.0	M6.0	7.0	0.5	8.0	2	20	Plastic Outer Ring / Screw up type	
DR-24-B0.5	24.0	M6.0	7.0	0.5	8.0	2	20	Plastic Outer Ring / Screw up type	
DR-26-A1	26.0	5.0	7.0	1.0	3.5	3	8	Plastic Outer Ring / Crimp by pin	
DR-26-B0.5	26.0	M6.0	7.0	0.5	8.0	1	20	Plastic Outer Ring / Screw up type	
#6200 with Shaft	30.0	5.9	9.0	1.0	3.7	1	520	244	#6200 / Crimp by pin

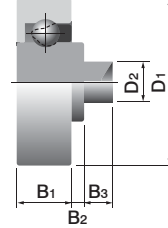
Type 1



Type 2



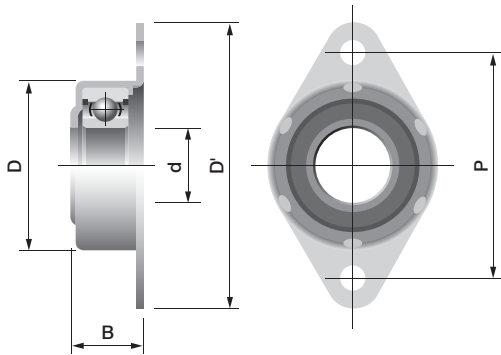
Type 3



OTHERS

Part No.	Demension(mm)						Remarks
	D	D'	d	B	P	L	
Diamond Flange AX	32.4	62.0	10.0	14.5	48.0	—	#6200ZZ Bearing
Diamond Flange BX	32.4	62.0	10.0	14.5	48.0	—	#1200 Bearing
Diamond Flange CX	37.4	67.0	17.0	15.5	53.0	—	#6003ZZ Bearing
PCP254BX-S	42.0	70.0	25.4	—	56.0	30.5	1" Ball Transfer Unit

Diamond Flange Unit



PCP254BX-S

